

Spare Parts List

Reservedelsliste



Vertical Plate Freezer (V 3+4+5+7)

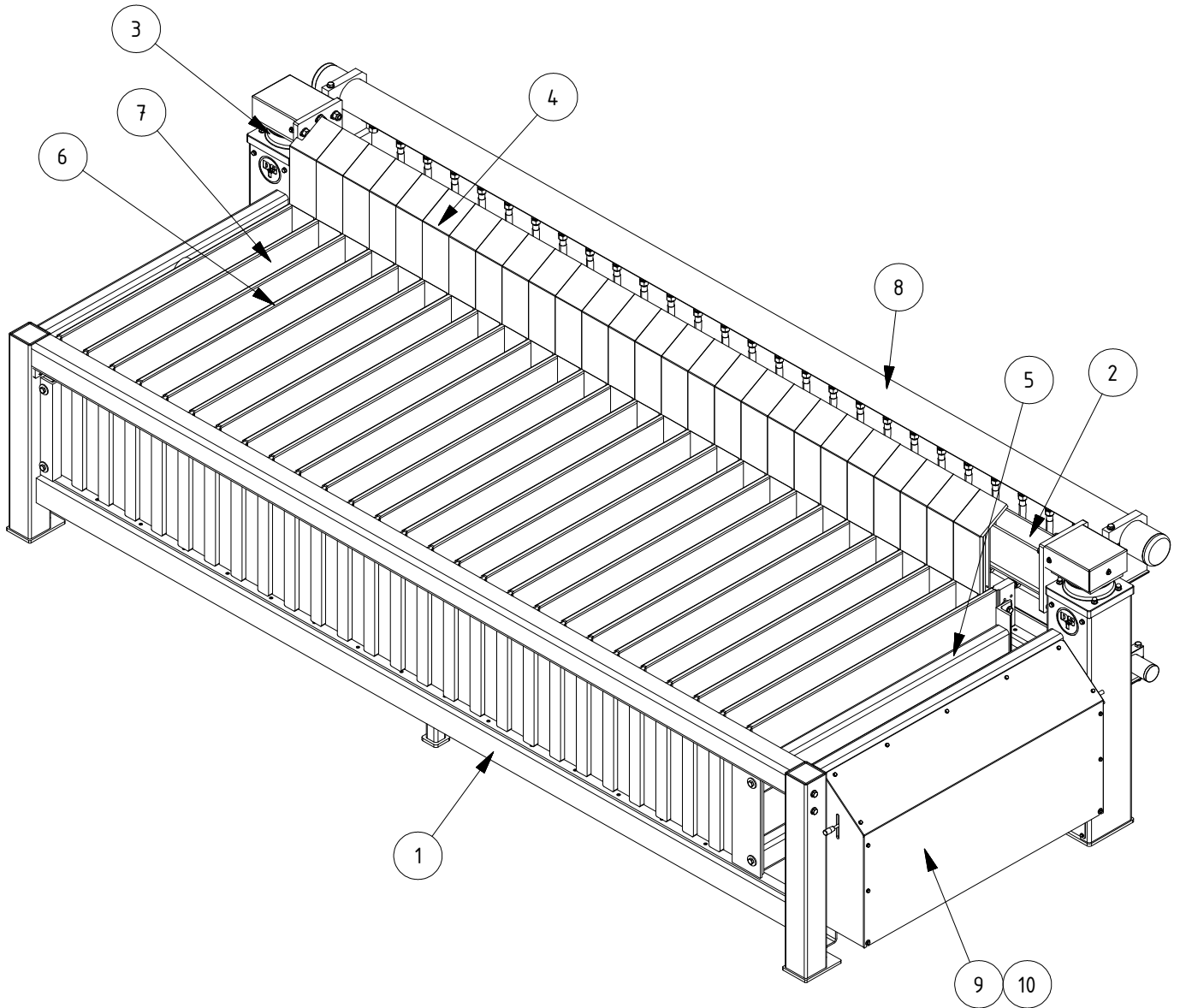
Vertikal pladefryser (V 3+4+5+7)

Spare parts for Vertical Freezer

Version UK-DK-2018/11

Spare parts: Vertical Freezer Assembly Drawing no. R932955		Reservedele: Vertikal Fryser Samlingstegning nr. R932955	
Pos no.	Description	Pos nr.	Beskrivelse
1	Frame	1	Stativ
2	Lifting beam	2	Løftebjælke
3	Lifting system	3	Løftesystem
4	Lifting fork	4	Løftegaffel
5	Opening / closing yoke	5	Trækåg
6	Freezing element	6	Køleelement
7	Freezing element (stations)	7	Køleelement (stationer)
8	Refrigerant system (in/outlet)	8	Kølesystem (ind/udløb)
9	Hydraulic, manually	9	Hydraulik, manuelt
10	Hydraulic, electrically	10	Hydraulik, elektrisk





A/S DYBVAD · STÅL · INDUSTRI
 PARKVEJ 5
 DK-9352 Dybvad
 E-mail DSI@DSI-as.com

Telefon +45 98 86 42 99
 Telefax +45 98 86 46 60
 www.dsi-as.com

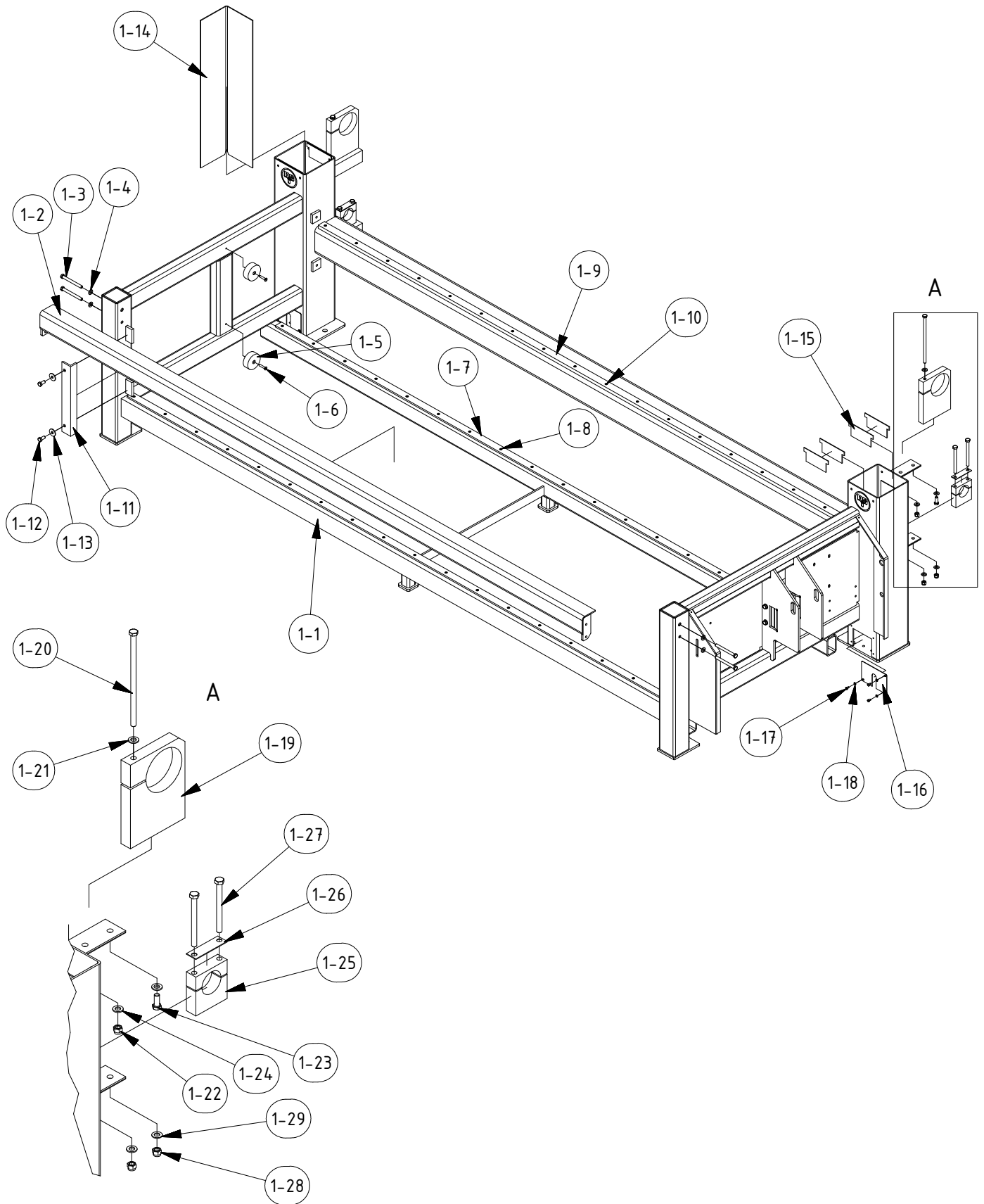
Type: Platefreezer Vertical
 Category: Spare parts

Title: Master drawing
 Drawing no.: R932955

Spare parts for Vertical Freezer

Version UK-DK-2018/11

Spare parts: Frame Assembly Drawing no. R932955-1		Reservedele: Stativ Samlingstegning nr. R932955-1	
Pos no.	Description	Pos nr.	Beskrivelse
1-1	Frame	1-1	Stativ
1-2	Front beam	1-2	Forbjælke
1-3	Bolt	1-3	Bolt
1-4	Washer	1-4	Spændeskive
1-5	Support	1-5	Understøtning
1-6	UH Insex	1-6	UH Insex
1-7	Guide rail	1-7	Glideskinne
1-8	UH Insex	1-8	UH Insex
1-9	Guide rail	1-9	Glideskinne
1-10	UH Insex	1-10	UH Insex
1-11	Clamp for freezing element	1-11	Spændestykke til køleelement
1-12	Bolt	1-12	Bolt
1-13	Penny washer	1-13	Skærmskive
1-14	Sliding plate	1-14	Glidleplade
1-15	Spacer plate	1-15	Mellemlæg
1-16	Cover plate	1-16	Dækplade
1-17	Set screw	1-17	Sætskrue
1-18	Washer	1-18	Spændeskive
1-19	Pipe clamp for header (outlet)	1-19	Rørholder til fordelerrør (udløb)
1-20	Bolt	1-20	Bolt
1-21	Washer	1-21	Spændeskive
1-22	Lock nut	1-22	Låsemøtrik
1-23	Set screw	1-23	Sætskrue
1-24	Washer	1-24	Spændeskive
1-25	Pipe clamp for header (inlet)	1-25	Rørholder til fordelerrør (indløb)
1-26	Clamping plate	1-26	Spændeplade
1-27	Bolt	1-27	Bolt
1-28	Lock nut	1-28	Låsemøtrik
1-29	Washer	1-29	Spædeskive



A/S DYBVAD · STÅL · INDUSTRI
 PARKVEJ 5
 DK-9352 Dybvad
 E-mail DSI@DSI-as.com

Telefon +45 98 86 42 99
 Telefax +45 98 86 46 60
 www.dsi-as.com

Type: **Platefreezer Vertical**
 Category: **Spare parts**

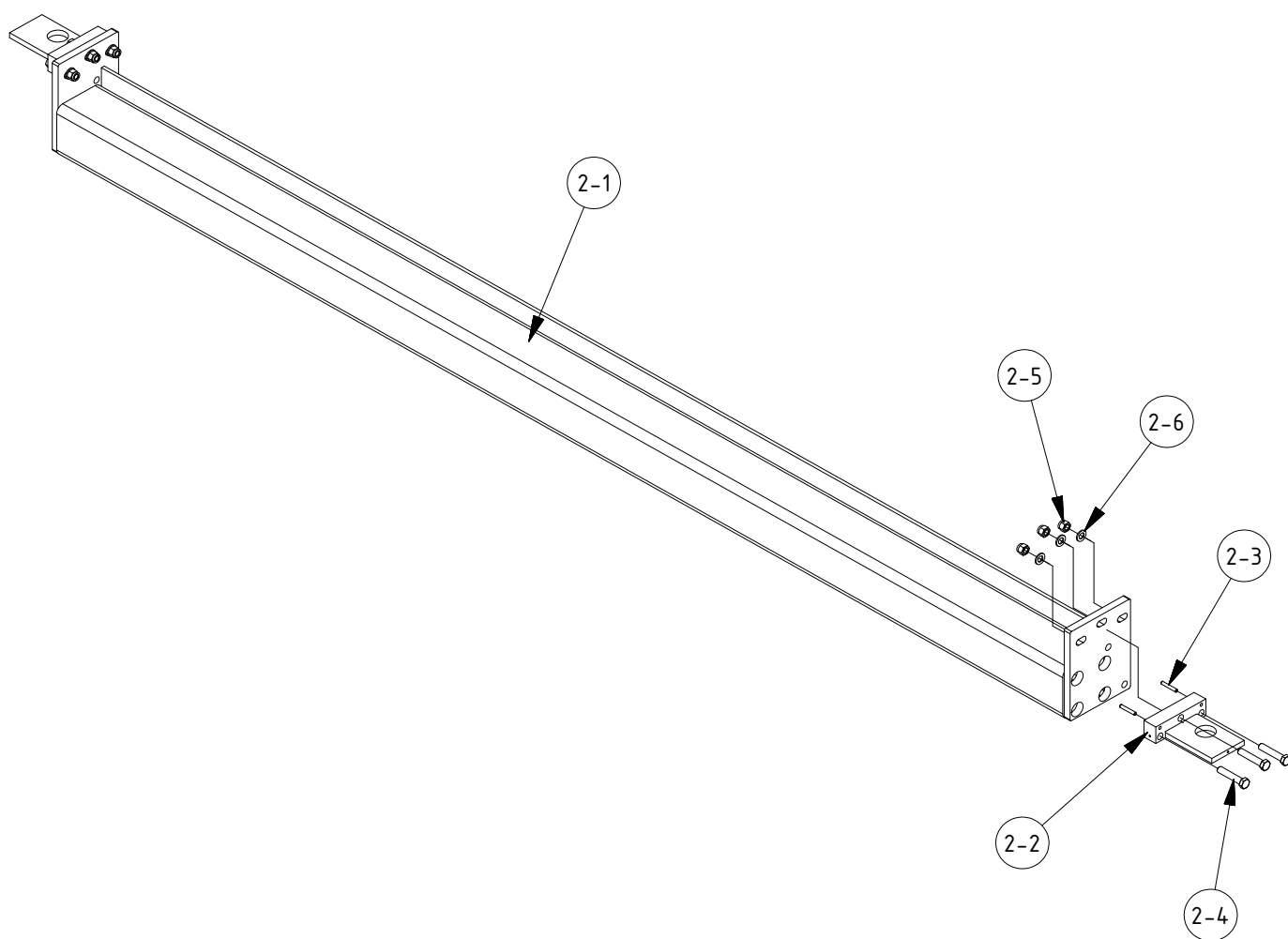
Title: **Frame**
 Drawing no.: **R932955-1**

Spare parts for Vertical Freezer

Version UK-DK-2018/11

Spare parts: Lifting beam Assembly Drawing no. R932955-2		Reservedele: Løftebjælke Samlingstegning nr. R932955-2	
Pos no.	Description	Pos nr.	Beskrivelse
2-1	Lifting beam	2-1	Løftebjælke
2-2	Lifting bracket	2-2	Løftebeslag
2-3	Guide pin	2-3	Styrestift
2-4	Bolt	2-4	Bolt
2-5	Lock nut	2-5	Låsemøtrik
2-6	Washer	2-6	Spændeskive





A/S DYBVAD · STÅL · INDUSTRI
PARKVEJ 5
DK-9352 Dybvad
E-mail DSI@DSI-as.com

Telefon +45 98 86 42 99
Telefax +45 98 86 46 60
www.dsi-as.com

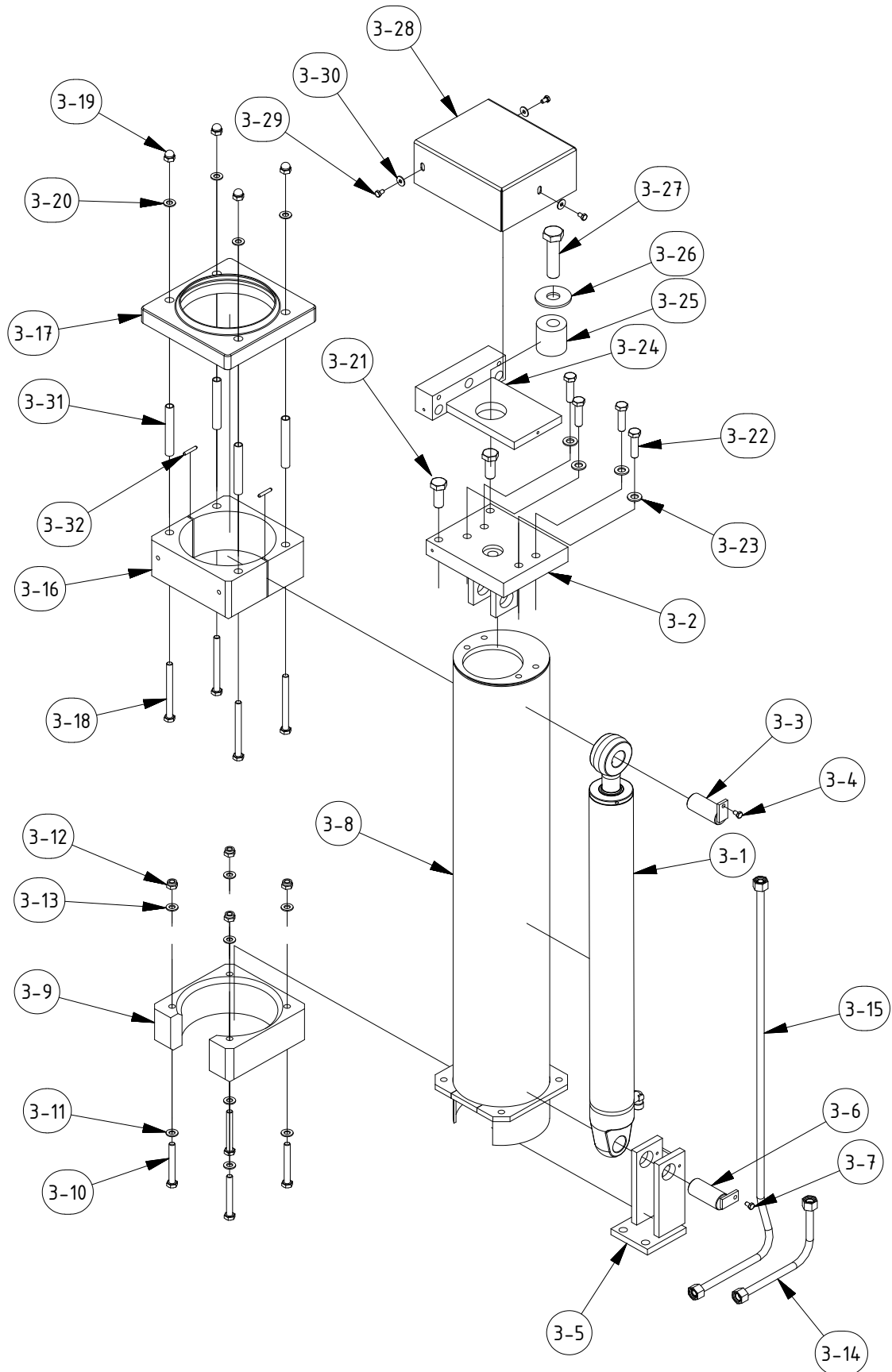
Type:
Platfrefreezer Vertical
Category:
Spare parts

Title:
Lifting beam
Drawing no.:
R932955-2

Spare parts for Vertical Freezer

Version UK-DK-2018/11

Spare parts: Lifting system Assembly Drawing no. R932955-3		Reservedele: Løftesystem Samlingstegning nr. R932955-3	
Pos no.	Description	Pos nr.	Beskrivelse
3-1	Hydraulic cylinder	3-1	Hydraulik cylinder
3-2	Carrier plate	3-2	Bæreplade
3-3	Cylinder pin	3-3	Cylindertap
3-4	Set screw incl. spring washer	3-4	Sætskrue inkl. fjederskive
3-5	Cylinder bracket	3-5	Cylinderbeslag
3-6	Cylinder pin	3-6	Cylindertap
3-7	Set Screw incl. spring washer	3-7	Sætskrue inkl. fjederskive
3-8	Support pipe	3-8	Støtterør
3-9	Slide block	3-9	Glideklods
3-10	Bolt	3-10	Bolt
3-11	Washer	3-11	Spændeskive
3-12	Lock nut	3-12	Låsemøtrik
3-13	Washer	3-13	Spændeskive
3-14	Hydraulic pipe	3-14	Hydraulikrør
3-15	Hydraulic pipe	3-15	Hydraulikrør
3-16	Slide bearing	3-16	Glidleje
3-17	Scraper ring	3-17	Skrabering
3-18	Bolt	3-18	Bolt
3-19	Cap nut	3-19	Topmøtrik
3-20	Washer	3-20	Spændeskive
3-21	Set screw	3-21	Sætskrue
3-22	Set screw	3-22	Sætskrue
3-23	Washer	3-23	Spændeskive
3-24	Lifting bracket	3-24	Løftebeslag
3-25	Eccentric for lifting beam	3-25	Excentrik for løftebjælke
3-26	Set screw	3-26	Sætskrue
3-27	Penny washer	3-27	Skærmskive
3-28	Cover for lifting bracket	3-28	Skærm for løftebeslag
3-29	Set screw	3-29	Sætskrue
3-30	Washer	3-30	Spændeskive
3-31	Spacer tube	3-31	Afstandsør
3-32	Cylinder pin	3-32	Cylinderstift



A/S DYBVAD-STÅL-INDUSTRI
 PARKVEJ 5
 DK-9352 Dybvad
 E-mail DSI@DSI-as.com

Telefon +45 98 86 42 99
 Telefax +45 98 86 46 60
 www.dsi-as.com

Type: **Platefreezer Vertical**
 Category: **Spare parts**

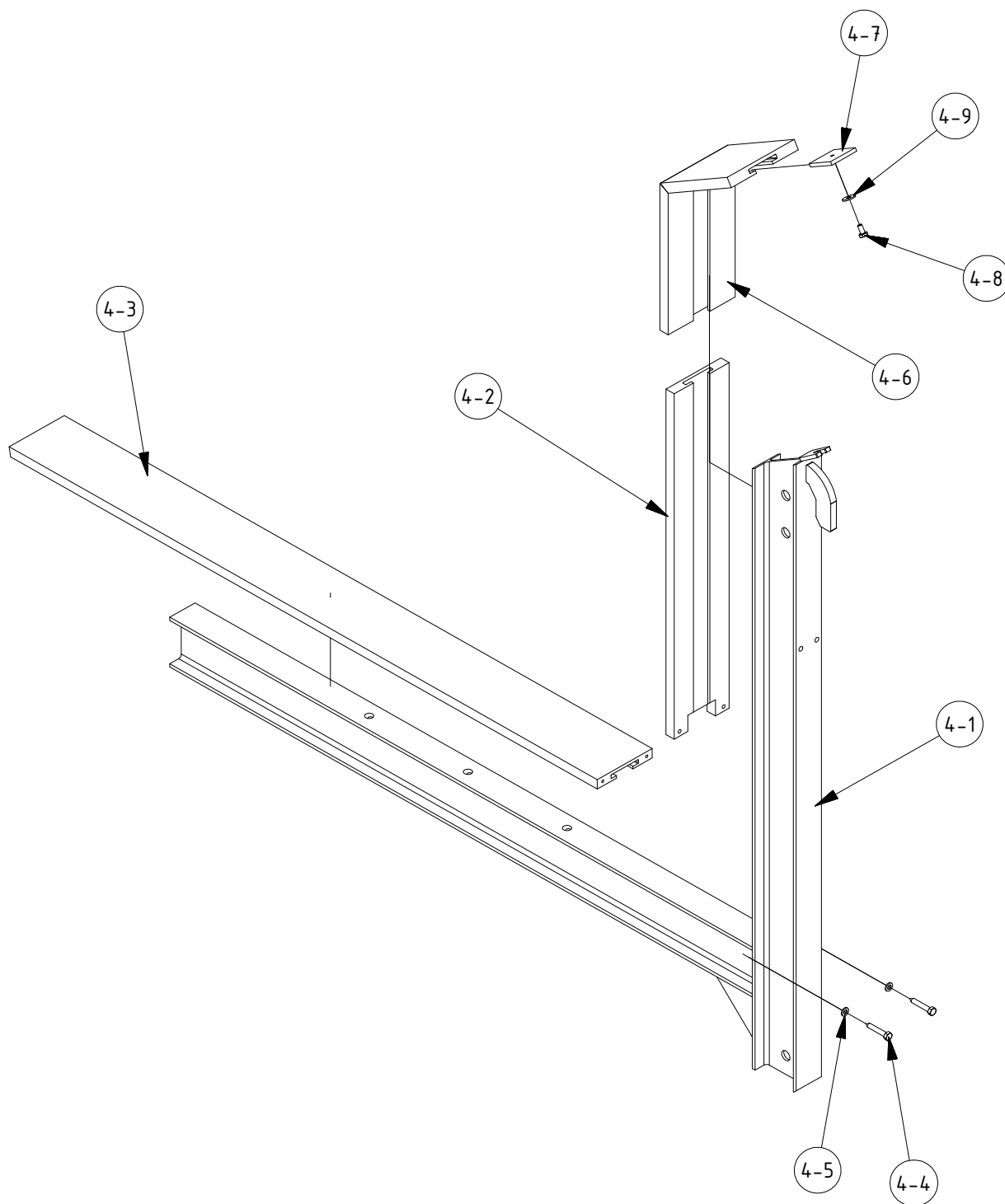
Title: **Lifting system**
 Drawing no.: **R932955-3**

Spare parts for Vertical Freezer

Version UK-DK-2018/11

Spare parts: Lifting fork Assembly Drawing no. R932955-4		Reservedele: Løftegaffel Samlingstegning nr. R932955-4	
Pos no.	Description	Pos nr.	Beskrivelse
4-1	Lifting fork	4-1	Løftegaffel
4-2	Fork cladding back	4-2	Gaffelbelægning ryg
4-3	Fork cladding bottom	4-3	Gaffelbelægning bund
4-4	Lag screw	4-4	Fransk skrue
4-5	Washer	4-5	Spændeskive
4-6	Fork cladding top	4-6	Afdækning gaffeltop
4-7	Clamping plate for cladding	4-7	Spændeplade for afdækning
4-8	Set screw	4-8	Sætskrue
4-9	Penny washer	4-9	Skærmskive





A/S DYBVAD·STÅL·INDUSTRI
 PARKVEJ 5
 DK-9352 Dybvad
 E-mail DSI@DSI-as.com

Telefon +45 98 86 42 99
 Telefax +45 98 86 46 60
 www.dsi-as.com

Type:
Platefreezer Vertical
 Category:
Spare parts

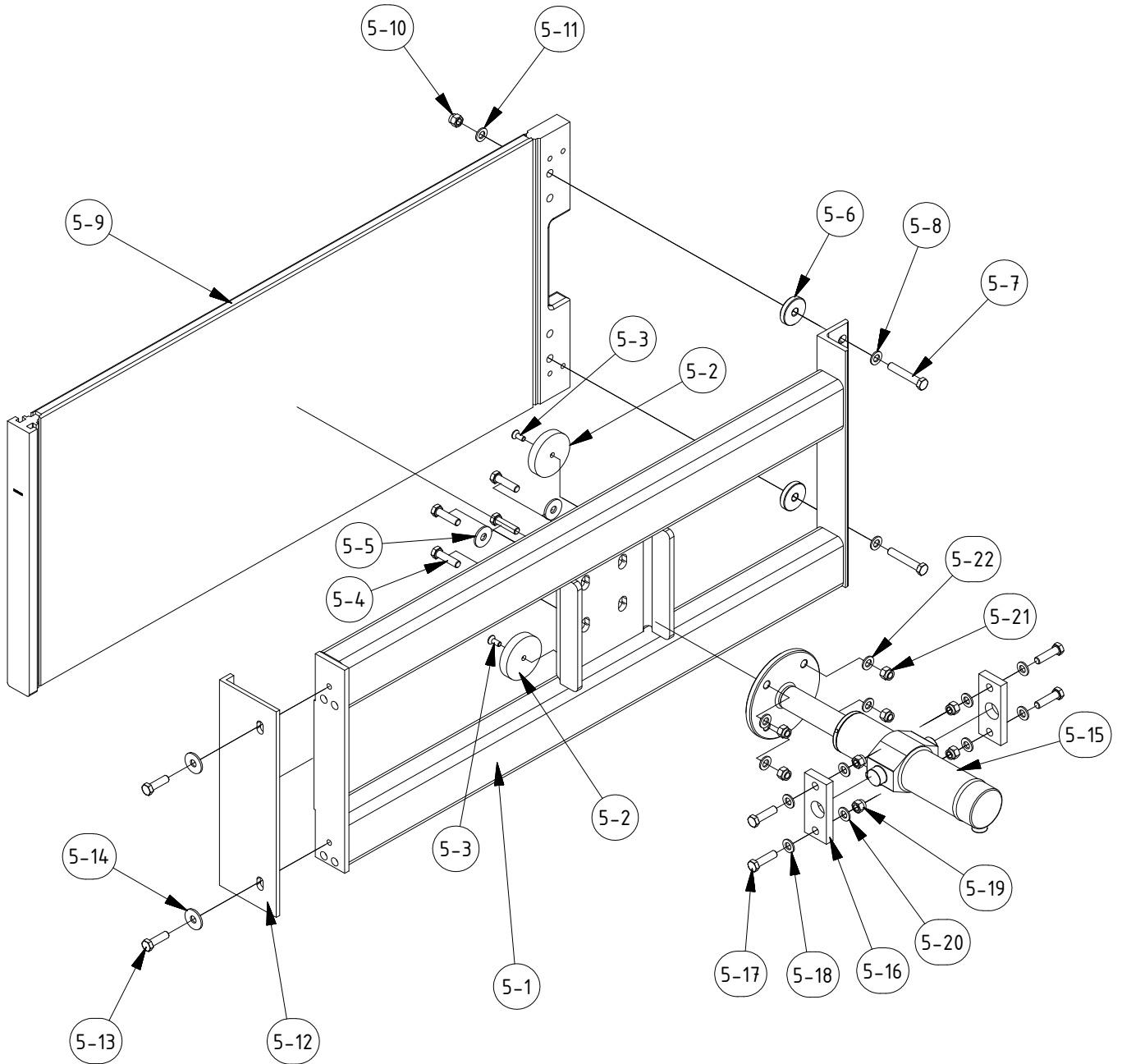
Title:
Lifting fork
 Drawing no.:
R932955-4

Spare parts for Vertical Freezer

Version UK-DK-2018/11

Spare parts: Opening / closing yoke Assembly Drawing no. R932955-5		Reserve dele: Trækåg Samlingstegning nr. R932955-5	
Pos no.	Description	Pos nr.	Beskrivelse
5-1	Opening / closing yoke	5-1	Trækåg
5-2	Support	5-2	Understøtning
5-3	Set screw	5-3	Sætskrue
5-4	Bolt	5-4	Bolt
5-5	Penny washer	5-5	Skærmskive
5-6	Support	5-6	Understøtning
5-7	Bolt	5-7	Bolt
5-8	Washer	5-8	Spændeskive
5-9	Freezing element	5-9	Køleelement
5-10	Lock nut	5-10	Låsemøtrik
5-11	Washer	5-11	Spændeskive
5-12	Clamp for freezing element	5-12	Spændestykke for køleelement
5-13	Set screw	5-13	Sætskrue
5-14	Penny washer	5-14	Skærmskive
5-15	Hydraulic cylinder	5-15	Hydraulikcylinder
5-16	Cylinder bracket	5-16	Ophæng for cylinder
5-17	Set screw	5-17	Sætskrue
5-18	Washer	5-18	Spændeskive
5-19	Lock nut	5-19	Låsemøtrik
5-20	Washer	5-20	Spændeskive
5-21	Lock nut	5-21	Washer
5-22	Washer	5-22	Spændeskive





A/S DYBVAD·STÅL·INDUSTRI
 PARKVEJ 5
 DK-9352 Dybvad
 E-mail DSI@DSI-as.com

Telefon +45 98 86 42 99
 Telefax +45 98 86 46 60
 www.dsi-as.com

Type: **Platefreezer Vertical**
 Category: **Spare parts**

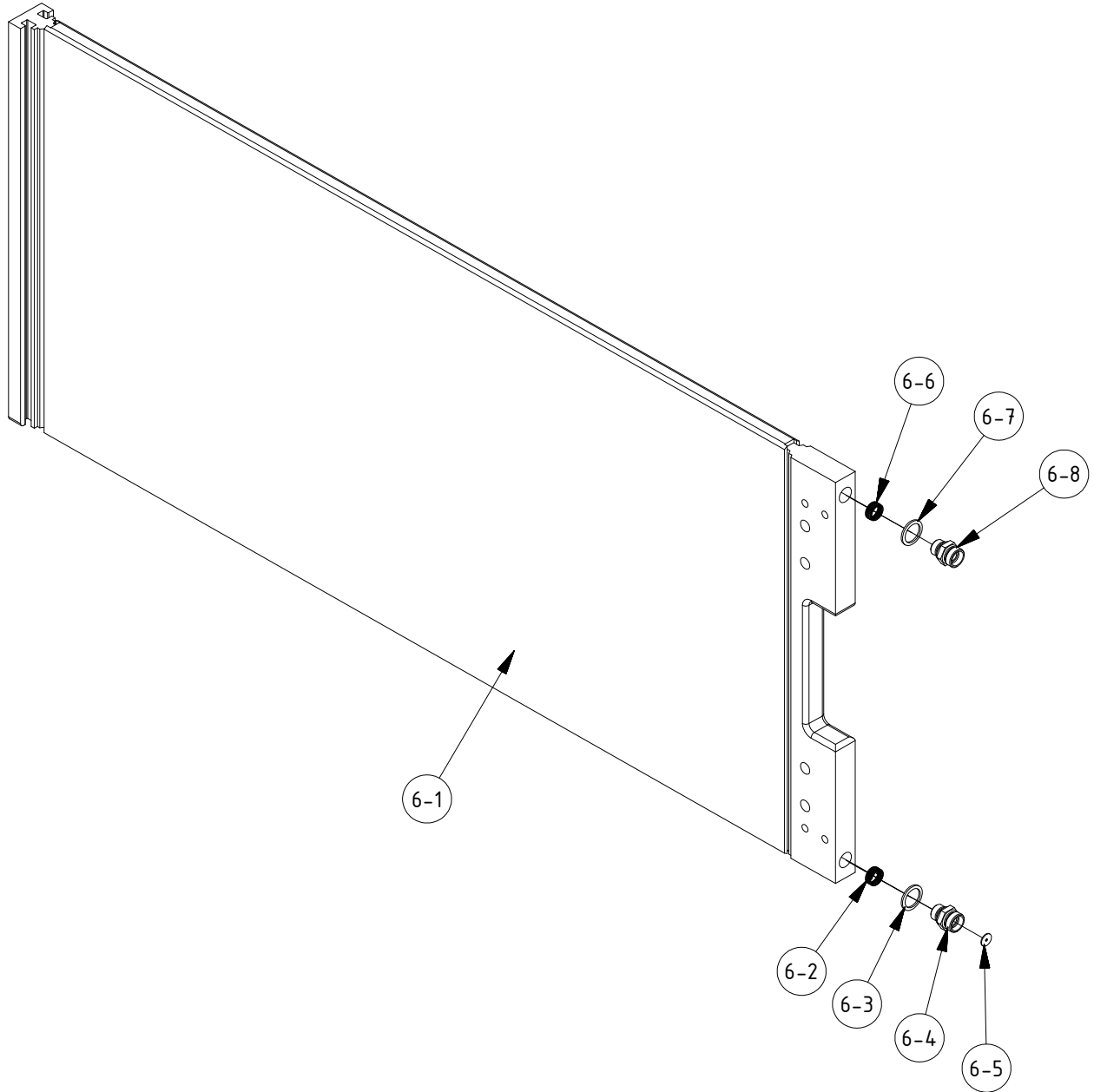
Title: **Opening / closing yoke**
 Drawing no.: **R932955-5**

Spare parts for Vertical Freezer

Version UK-DK-2018/11

Spare parts: Freezing element Assembly Drawing no. R932955-6		Reservedele: Køleelement Samlingstegning nr. R932955-6	
Pos no.	Description	Pos nr.	Beskrivelse
6-1	Freezing element	6-1	Køleelement
6-2	Helicoil	6-2	Helicoil
6-3	Corrosion ring (inlet)	6-3	Korrosionsskive (indløb)
6-4	Hose connector (inlet)	6-4	Indskruning (indløb)
6-5	Nozzle	6-5	Dyse
6-6	Helicoil	6-6	Helicoil
6-7	Corrosion ring (outlet)	6-7	Korrosionsskive (udløb)
6-8	Hose connector (outlet)	6-8	Indskruning (udløb)





A/S DYBVAD·STÅL·INDUSTRI
PARKVEJ 5
DK-9352 Dybvad
E-mail DSI@DSI-as.com

Telefon +45 98 86 42 99
Telefax +45 98 86 46 60
www.dsi-as.com

Type:
Platefreezer Vertical
Category:
Spare parts

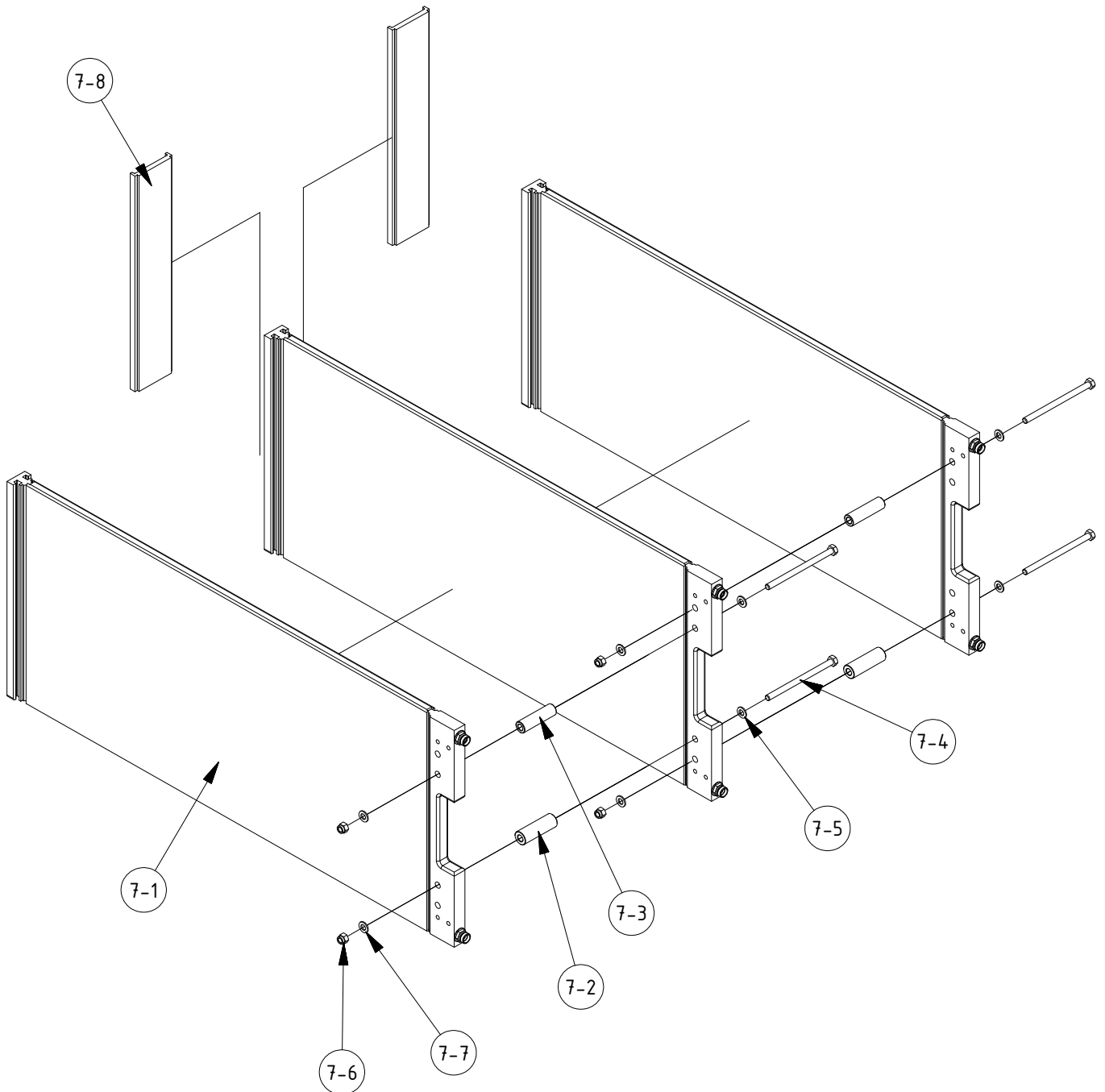
Title:
Freezing element
Drawing no.:
R932955-6

Spare parts for Vertical Freezer

Version UK-DK-2018/11

Spare parts: Freezing element (stations) Assembly Drawing no. R932955-7		Reservedele: Køleelement (stationer) Samlingstegning nr. R932955-7	
Pos no.	Description	Pos nr.	Beskrivelse
7-1	Freezing element	7-1	Køleelement
7-2	Spacer roll, lower	7-2	Afstandsrulle, nederste
7-3	Spacer roll, upper	7-3	Afstandsrulle, øverste
7-4	Bolt	7-4	Bolt
7-5	Washer	7-5	Spændeskive
7-6	Lock nut	7-6	Låsemøtrik
7-7	Washer	7-7	Spændeskive
7-8	Spacer profile	7-8	Afstandsprofil





A/S DYBVAD·STÅL·INDUSTRI
 PARKVEJ 5
 DK-9352 Dybvad
 E-mail DSI@DSI-as.com

Telefon +45 98 86 42 99
 Telefax +45 98 86 46 60
 www.dsi-as.com

Type:
Platefreezer Vertical
 Category:
Spare parts

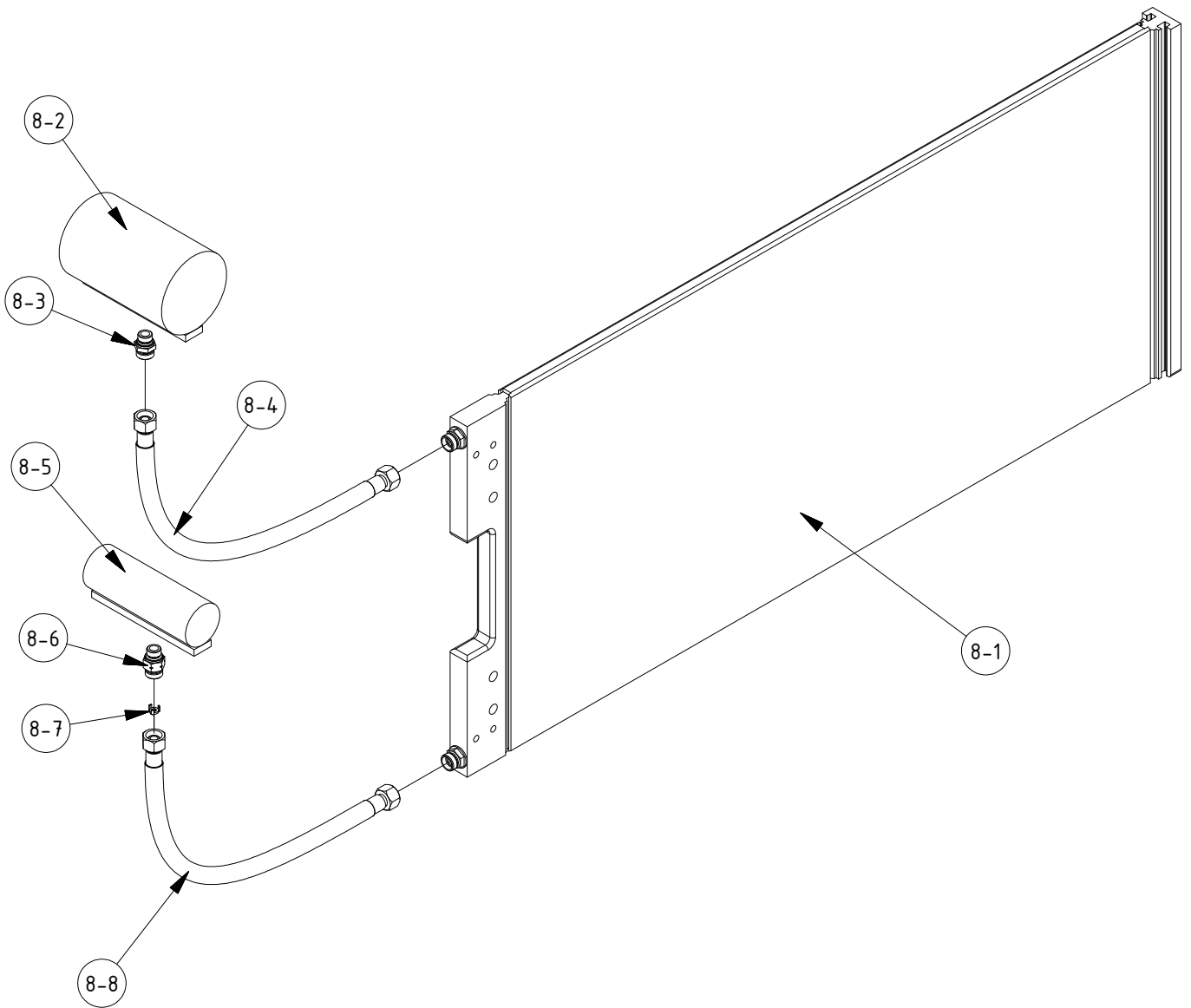
Title:
Freezing element st.
 Drawing no.:
R932955-7

Spare parts for Vertical Freezer

Version UK-DK-2018/11

Spare parts: Refrigerant system Assembly Drawing no. R932955-8		Reservedele: Kølesystem Samlingstegning nr. R932955-8	
Pos no.	Description	Pos nr.	Beskrivelse
8-1	Freezing element	8-1	Køleelement
8-2	Header (outlet)	8-2	Fordelerrør (udløb)
8-3	Hose connector (outlet)	8-3	Indskruning (udløb)
8-4	Refrigerant hose (outlet)	8-4	Køleslange (udløb)
8-5	Header (inlet)	8-5	Fordelerrør (indløb)
8-6	Hose connector (inlet)	8-6	Indskruning (indløb)
8-7	Defrosting nozzle (optional)	8-7	Afrimningsdyse (ekstraudstyr)
8-8	Refrigerant hose (inlet)	8-8	Køleslange (indløb)





A/S DYBVAD-STÅL-INDUSTRI
 PARKVEJ 5
 DK-9352 Dybvad
 E-mail DSI@DSI-as.com

Telefon +45 98 86 42 99
 Telefax +45 98 86 46 60
 www.dsi-as.com

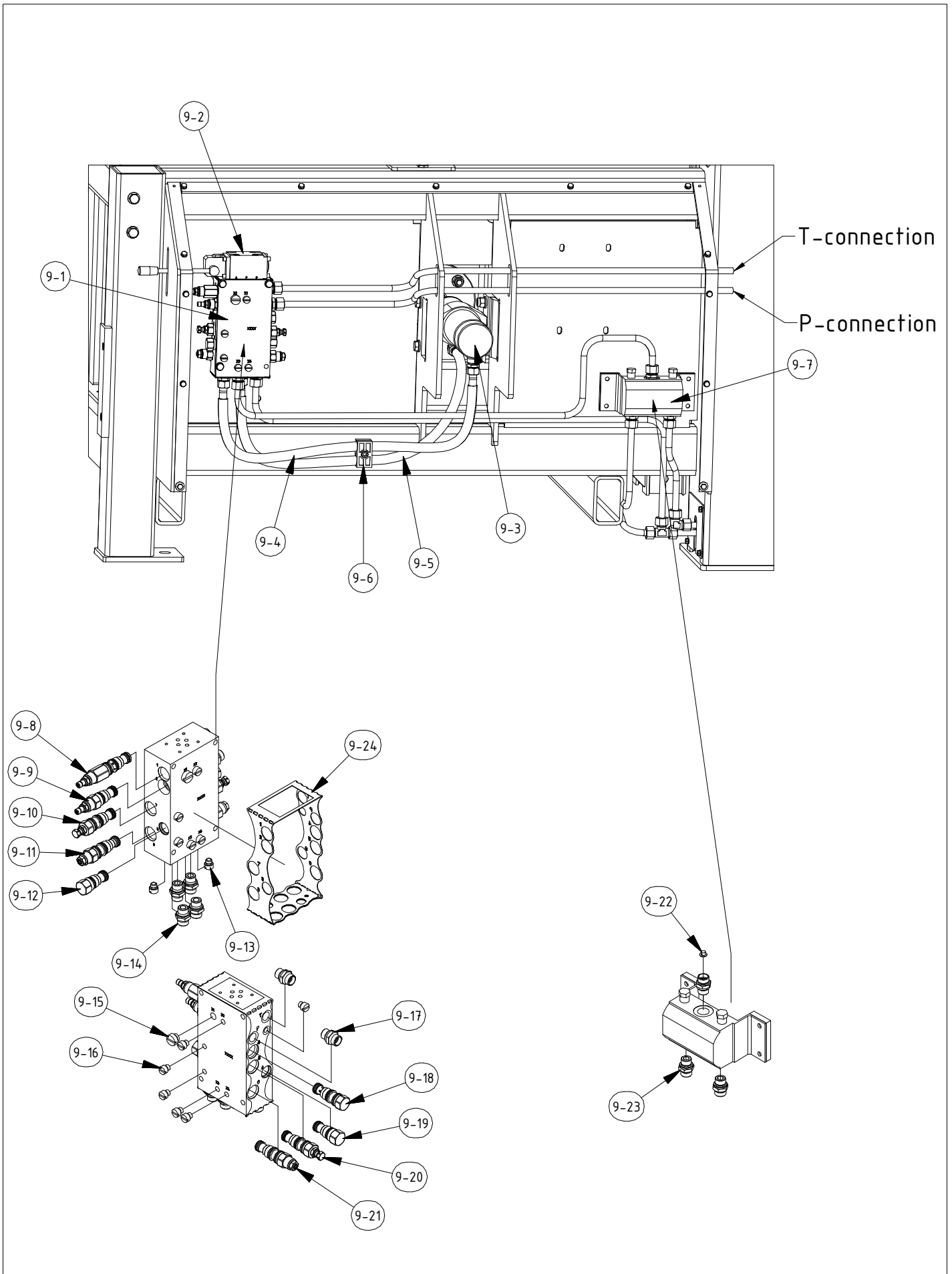
Type:
Platefreezer Vertical
 Category:
Spare parts

Title:
Refrigerant system
 Drawing no.:
R932955-8

Spare parts for Vertical Freezer

Version UK-DK-2018/11

Spare parts: Hydraulic, manually Assembly Drawing no. R932955-9		Reservedele: Hydraulik, manuelt Samlingstegning nr. R932955-9	
Pos no.	Description	Pos nr.	Beskrivelse
9-1	Valve block (complete)	9-1	Ventilblok (komplet)
9-2	Manually control valve	9-2	Manuel manøvreventil
9-3	Hydraulic cylinder	9-3	Hydraulikcylinder
9-4	Hydraulic hose	9-4	Hydraulikslange
9-5	Hydraulic hose	9-5	Hydraulikslange
9-6	Clamp for hydraulic hose	9-6	Holder for hydraulikslange
9-7	Flow divider	9-7	Flowdeler
9-8	Pressure regulating valve	9-8	Reduktionsventil
9-9	Flow control valve	9-9	Mængdereguleringsventil
9-10	Sequence valve	9-10	Sekvensventil
9-11	Pressure relief valve	9-11	Overtryksventil
9-12	Check valve	9-12	Kontraventil
9-13	Connector	9-13	Indskruning
9-14	Blind plug	9-14	Blindprop
9-15	Blind plug	9-15	Blindprop
9-16	Blind plug	9-16	Blindprop
9-17	Connector	9-17	Indskruning
9-18	Pilot operated check valve	9-18	Pilotstyret kontraventil
9-19	Check valve	9-19	Kontraventil
9-20	Sequence valve	9-20	Sekvensventil
9-21	Load control valve	9-21	Sænke/bremseventil
9-22	Nozzle	9-22	Dyse
9-23	Connector	9-23	Indskruning
9-24	Zinc protection	9-24	Zinksvøb



A/S DYBVAD-STÅL-INDUSTRI
 PARKVEJ 5
 DK-9352 Dybvad
 E-mail DSI@DSI-as.com

Telefon +45 98 86 42 99
 Telefax +45 98 86 46 60
 www.dsi-as.com

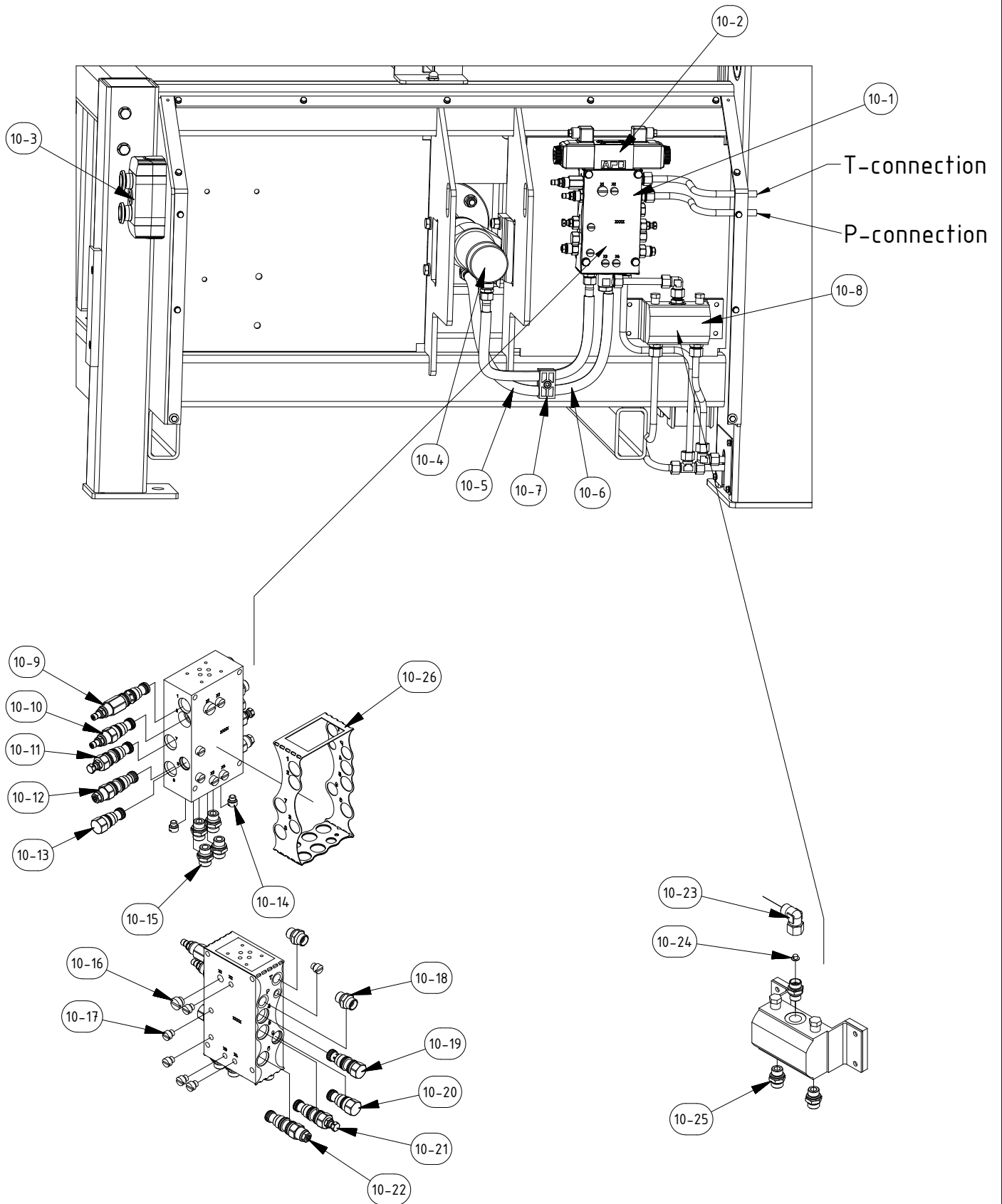
Type: Platefreezer Vertical
 Category: Spare parts

Title: Hydraulic, manually
 Drawing no.: R932955-9

Spare parts for Vertical Freezer

Version UK-DK-2018/11

Spare parts: Hydraulic, electrically Assembly Drawing no. R932955-10		Reserve dele: Hydraulik, elektrisk Samlingstegning nr. R932955-10	
Pos no.	Description	Pos nr.	Beskrivelse
10-1	Valve block (complete)	10-1	Ventilblok (komplet)
10-2	Electrically control valve	10-2	Elektrisk manøvreventil
10-3	Control box	10-3	Betjeningsboks
10-4	Hydraulic cylinder	10-4	Hydraulikcylinder
10-5	Hydraulic hose	10-5	Hydraulikslange
10-6	Hydraulic hose	10-6	Hydraulikslange
10-7	Clamp for hydraulic hose	10-7	Holder for hydraulikslange
10-8	Flow divider	10-8	Flowdeler
10-9	Pressure regulating valve	10-9	Reduktionsventil
10-10	Flow control valve	10-10	Mængdereguleringsventil
10-11	Sequence valve	10-11	Sekvensventil
10-12	Pressure relief valve	10-12	Overtryksventil
10-13	Check valve	10-13	Kontraventil
10-14	Connector	10-14	Indskruining
10-15	Blind plug	10-15	Blindprop
10-16	Blind plug	10-16	Blindprop
10-17	Blind plug	10-17	Blindprop
10-18	Connector	10-18	Indskruining
10-19	Pilot operated check valve	10-19	Pilotstyret kontraventil
10-20	Check valve	10-20	Kontraventil
10-21	Sequence valve	10-21	Sekvensventil
10-22	Load control valve	10-22	Sænke/bremseventil
10-23	Angle connector	10-23	Vinkel forskruining
10-24	Nozzle	10-24	Dyse
10-25	Connector	10-25	Indskruining
10-26	Zinc protection	10-26	Zinksvøb



A/S DYBVAD-STÅL-INDUSTRI
 PARKVEJ 5
 DK-9352 Dybvad
 E-mail DSI@DSI-as.com

Telefon +45 98 86 42 99
 Telefax +45 98 86 46 60
 www.dsi-as.com

Type: Platefreezer Vertical
 Category: Spare parts

Title: Hydraulic, electrically
 Drawing no.: R932955-10

Spare parts for Vertical Freezer

Version UK-DK-2018/11

Ordering spare parts:

To ensure that your order for spare parts is handled without delay, please provide us with the following details:

1. Machine number (name plate on freezer)
2. Spare part position number and description from the spare part list
3. Number of units
4. Number of stations on the freezer

Please order your spare parts here:

After sale:

Service@dsi-as.com

Phone: +45 2115 4299

Reservedelsbestilling:

For at sikre en hurtig og korrekt ekspedition af reservedele, anbefaler vi at bestillingen eller forespørgslen indeholder følgende oplysninger:

1. Maskinnummer (mærkeplade på fryseren)
2. Reservedelens positionsnummer og beskrivelse fra reservedelslisten
3. Antal stk.
4. Antal stationer på fryseren

Ordre/forespørgsler sendes hertil:

After sale:

Service@dsi-as.com

Telefon: +45 2115 4299

